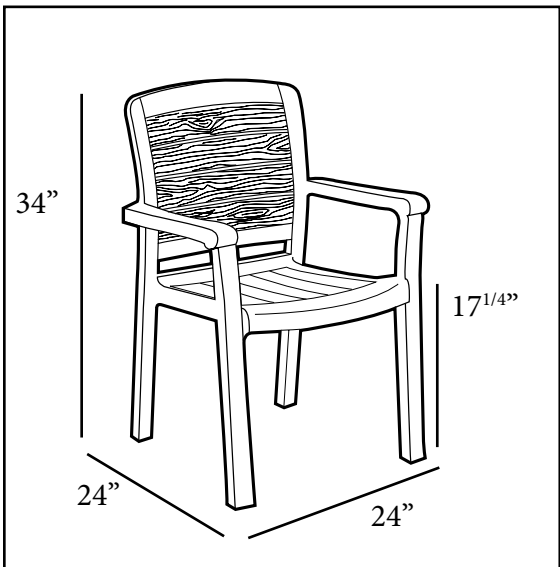




# Aquaba Classic Stacking Armchair



**Passes ASTM F 1561-96 Class B performance standard for commercial outdoor seating**

**Features & Benefits** **Warranty: 3 Yrs.**

- Elegant and sturdy highback armchair for fine dining.
- Decorative wood grain back design - coordinates with Grosfillex's molded melamine pedestal tables and the Atlantis folding tables.
- Spacious seat, contoured back and wide armrests for extra comfort.
- Rated to 300 pounds for safe use in a commercial environment.
- Wood grained with a satin finish.
- 2" x 2" leg with hard wearing footpads for structural rigidity.
- Made of 100% prime resin, a material impervious to salt air, chlorine, and most common food stains.
- Specifically formulated to provide long lasting resistance to U.V. light discoloration.
- Easy to clean with soap and water.
- Stacks for easy storage.

<b>Product Specifications</b>						
Product Description	Reference Number	Color	UPC Code 014306	Weight Each (lbs.)	Master Pack	Master Pack Volume (cu. ft.)
Aquaba Classic Stacking Armchair	49453067	Bordeaux	109046	10.92	12	40.25
	US453067	Bordeaux	109046	10.75	4	17.09
	49453078	Amazon Green	109114	10.92	12	40.25
	US453078	Amazon Green	109114	10.75	4	17.09